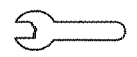


N1x8

N2x16

N3x8



Wx1

Vx1

Qx48

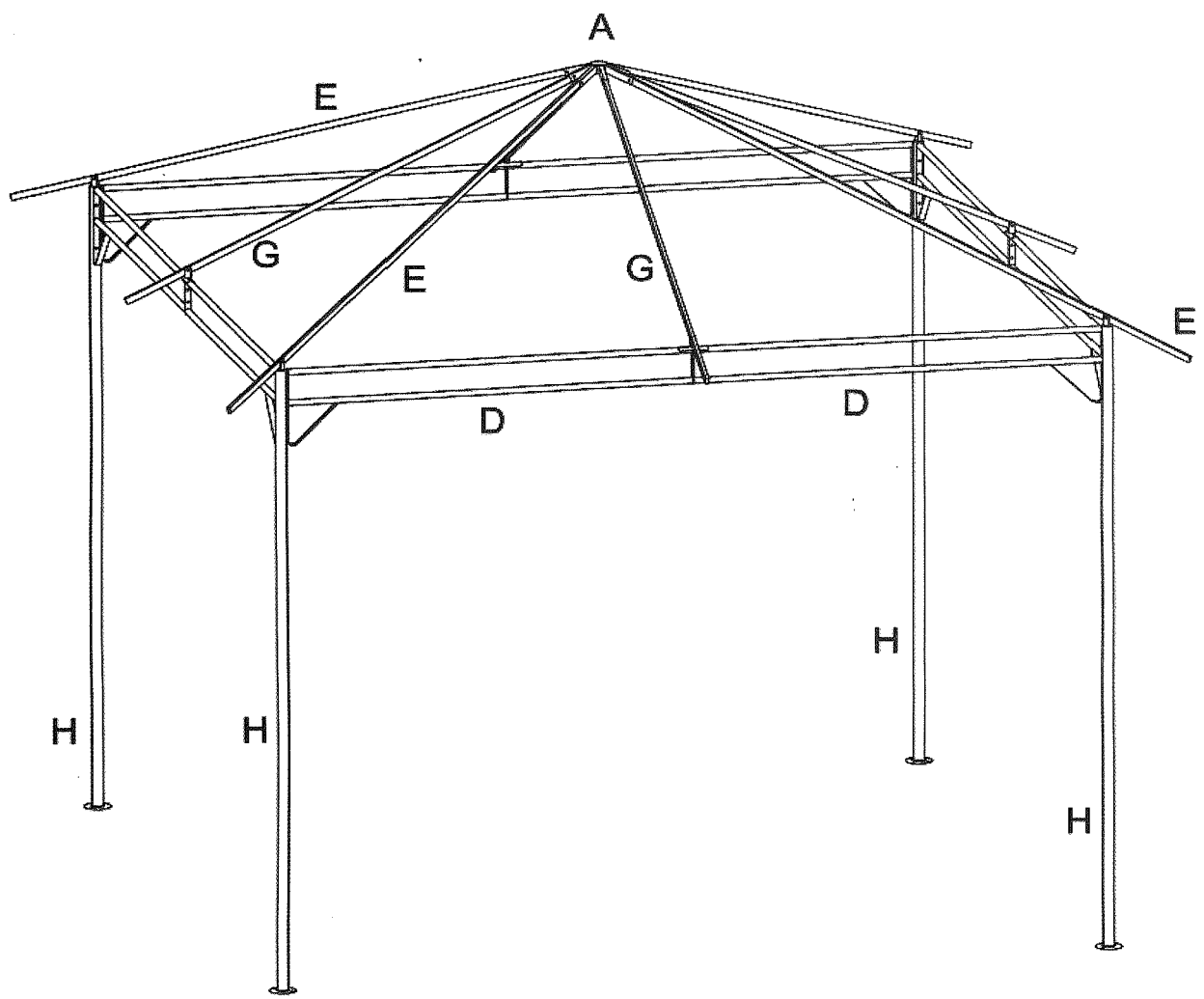
Rx80

x1

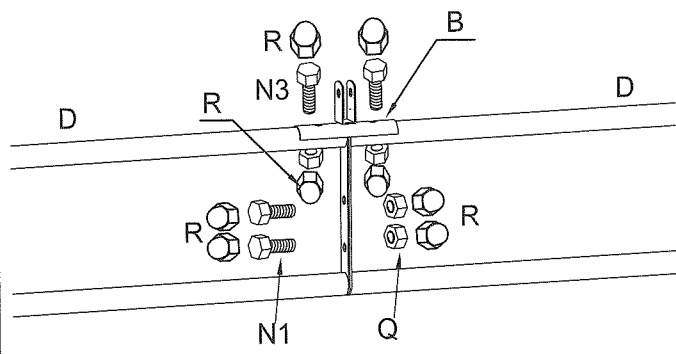


Mx8

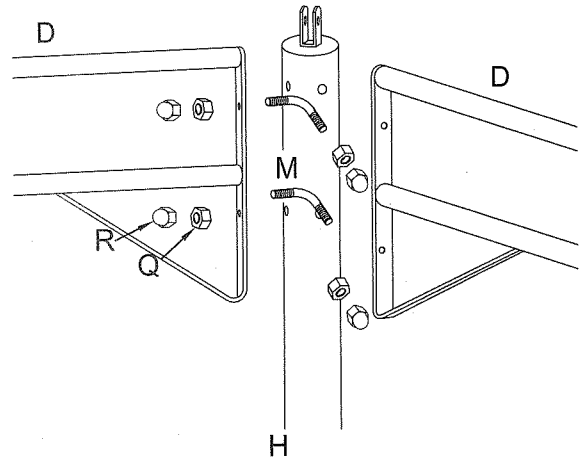
Lx8



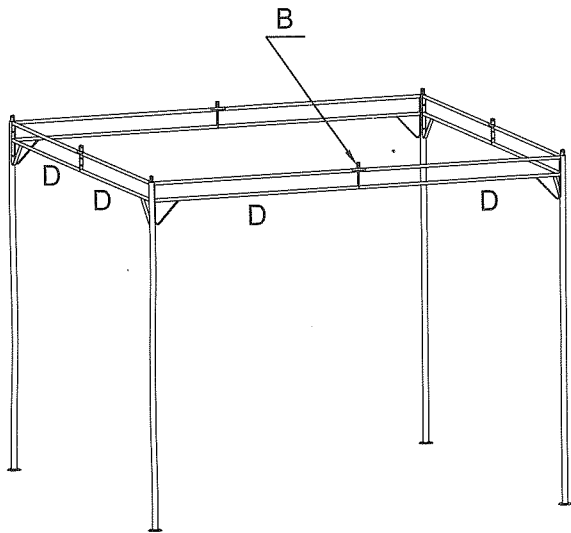
1



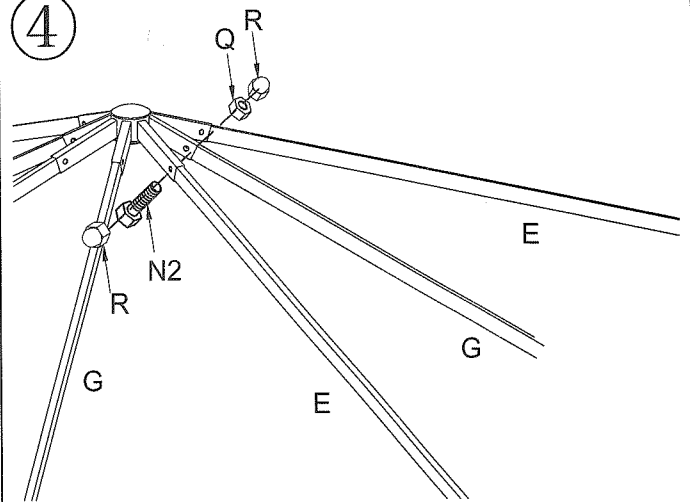
2



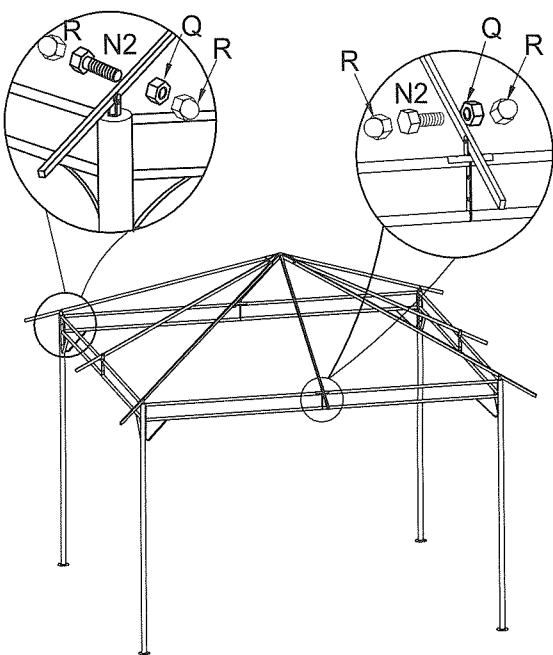
3



4



5



6

