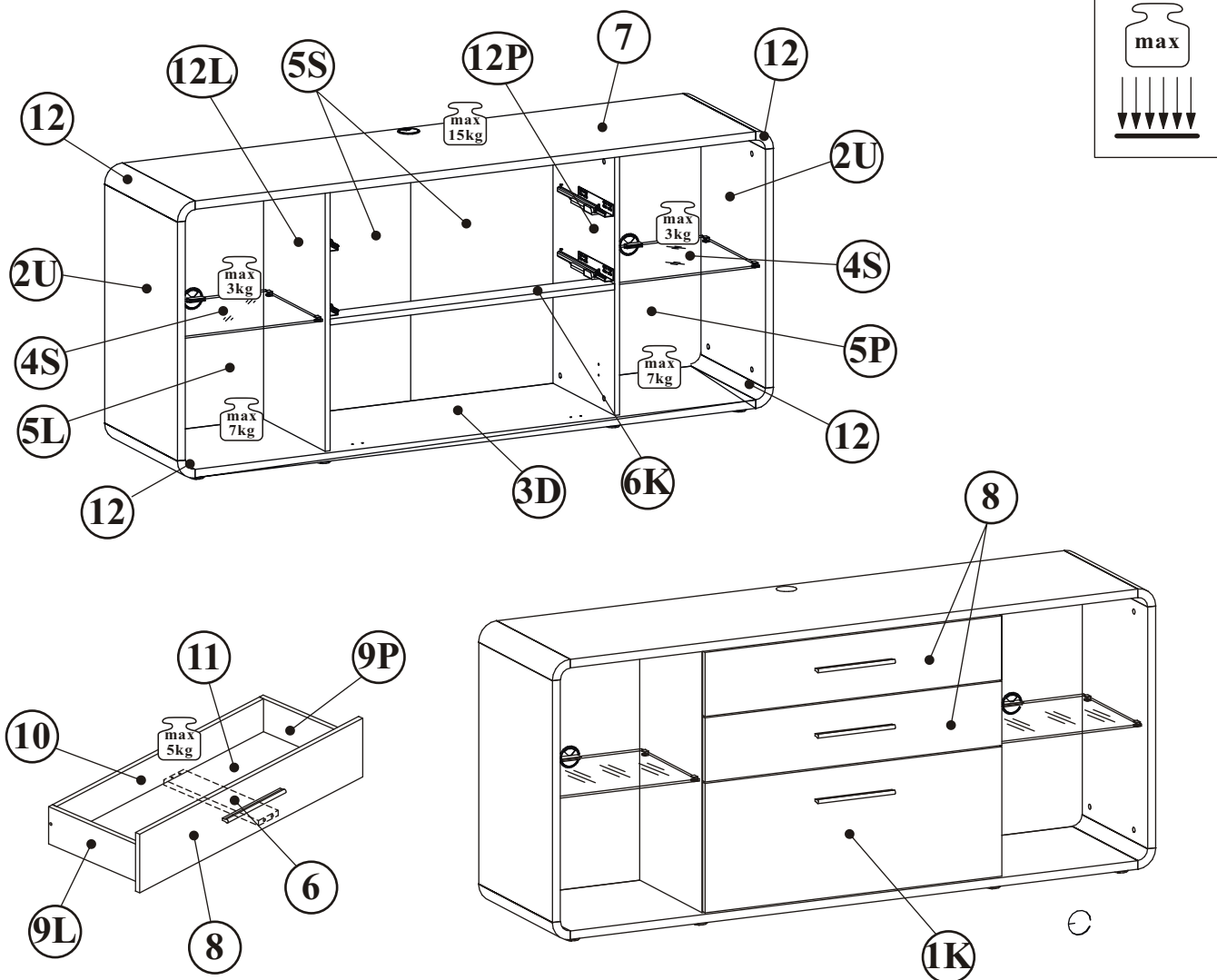
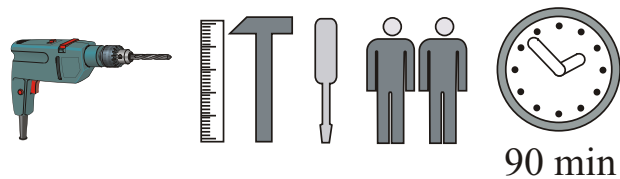
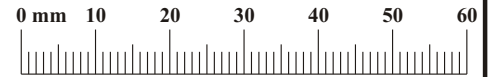


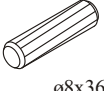
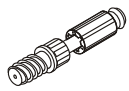




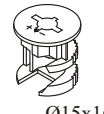

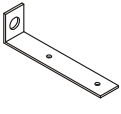
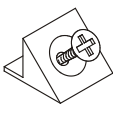

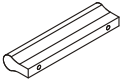

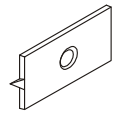


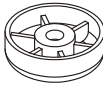

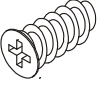
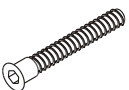

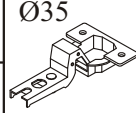
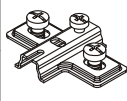
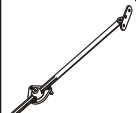
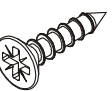
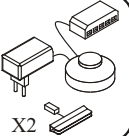



ROOF_44-044-__-6

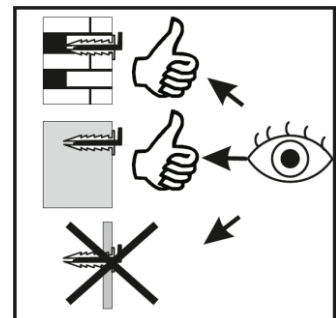
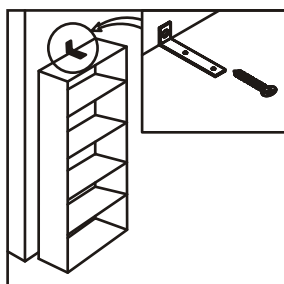
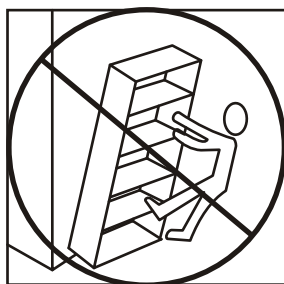
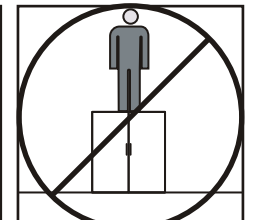
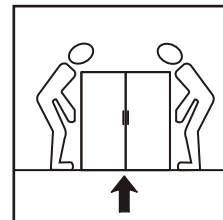
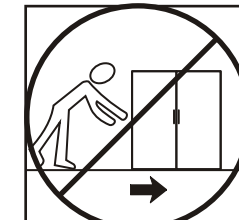
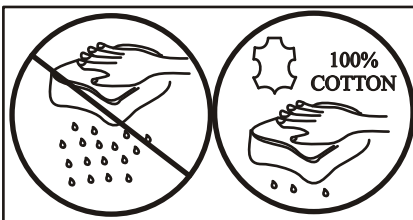
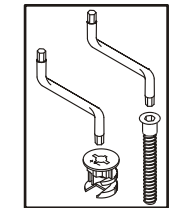
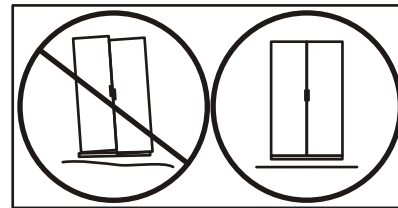
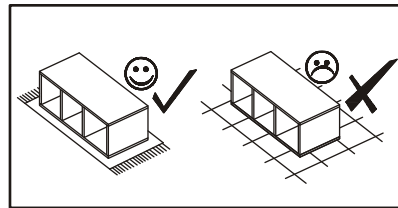
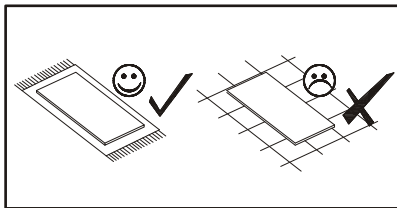
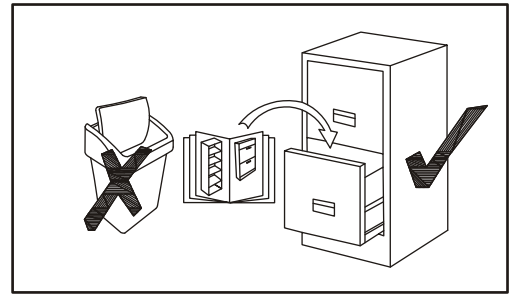
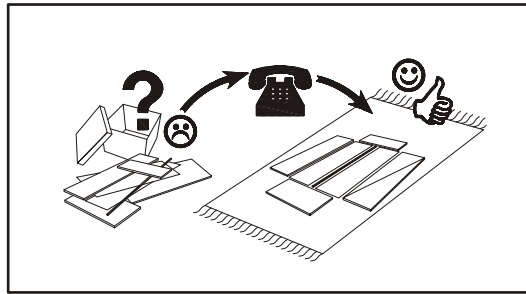
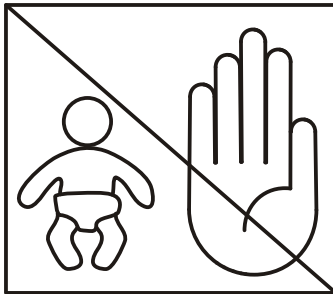


NO	Dim.		Col.-No	Qty
1K	941	382	P3	1
2U	713	480	P1	2
12L	776	406	P1	1
12P	776	406	P1	1
3D	1800	480	P2	1
4S	451	376	P1	2
5L	788	473	P1	1
5P	788	473	P1	1
5S	788	464	P1	2
6K	913	80	P3	1
6	350	80	P3	2
7	1800	480	P2	1
8	941	189	P3	2
9L	350	120	P3	2
9P	350	120	P3	2
10	873	106	P3	2
11	885	356	P1	2
12	480	80	P3	4





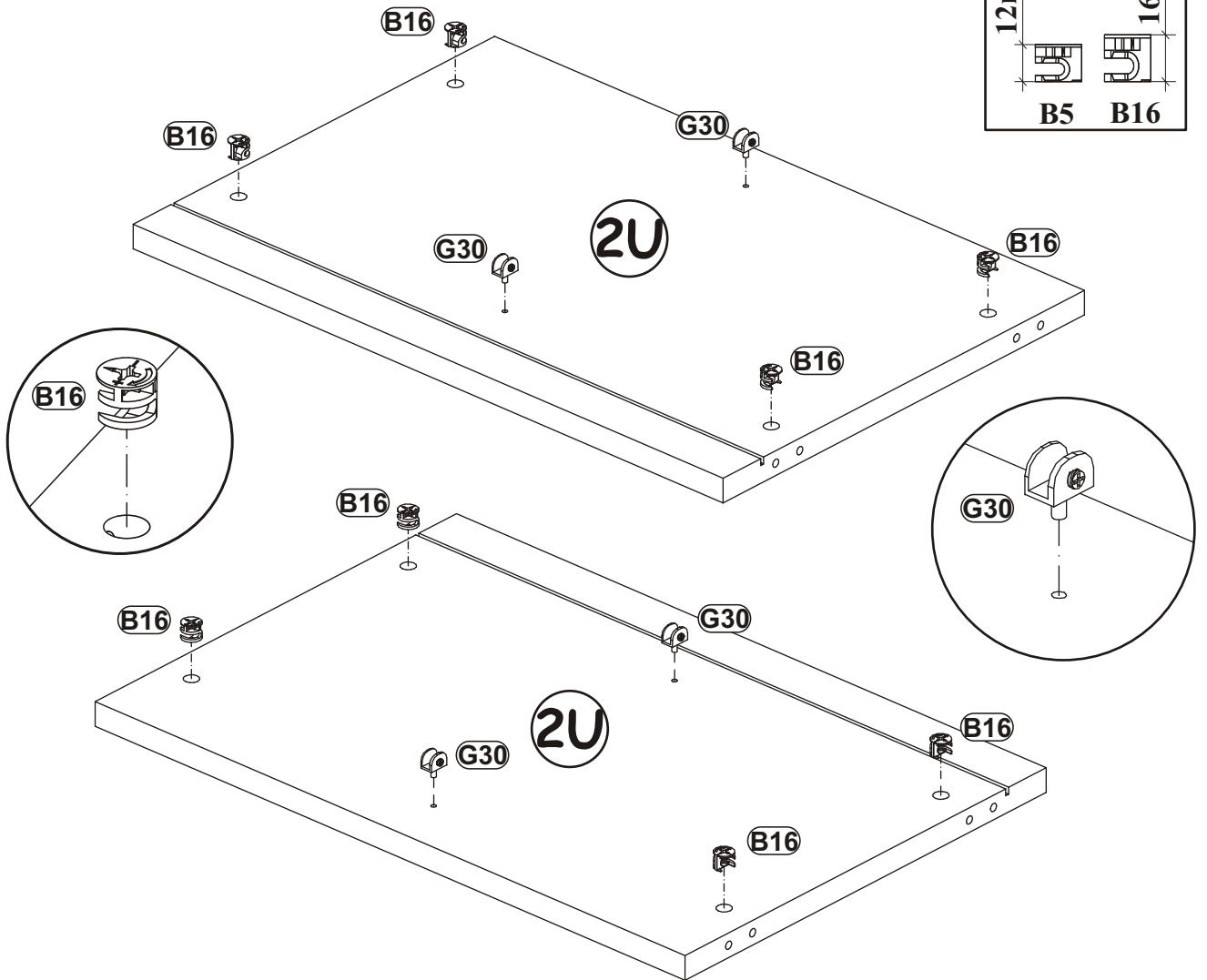
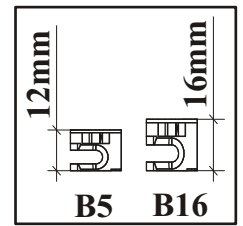


A1 x44  ø8x36	B4 x32 	B5 x16  ø15x12	G5 x32 	G30 x8 	G2 x1 
B16 x16  ø15x16	KR1 x2 	L1 x2 	S1 x24 	D10 x20  USØ3,5x13	KL x3  L-244mm.
UP13 x24  UPØ3x16	G16 x12 	UP6 x6  UPØ4x30	UP15 x8  UPØ4x25	I11 x8  Ø50, h=25	QU x2  L-350
D20 x8  ESØ6,3x9,5	B11 x4  Ø7x50	G4 x4 	E25 x2  Ø35 H=16	E4 x2  H=2	G21 x2 
D7 x6  USØ3x16	LED x1  x2	UP16 x4  UPØ4x35	G18 x1  Ø60, H-16	G17 x2  Ø60, H-4	

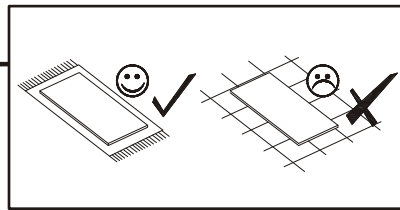


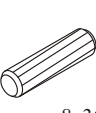
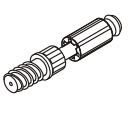
1

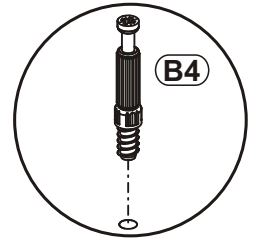
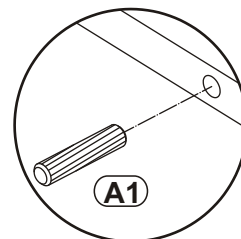
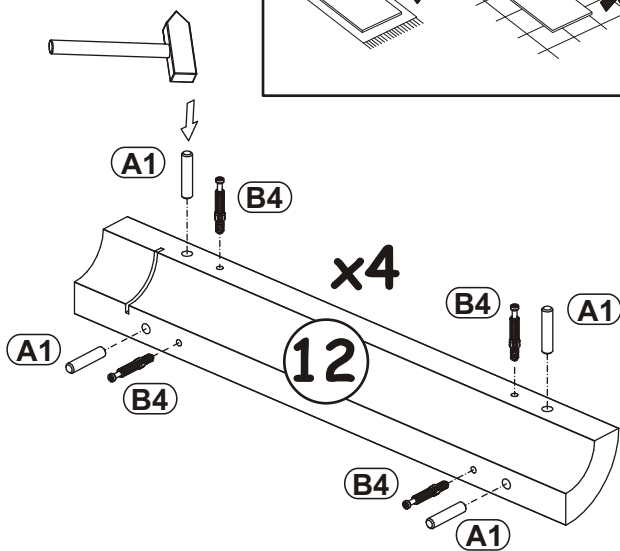
G30		B16	
x4		x8	Ø15x16



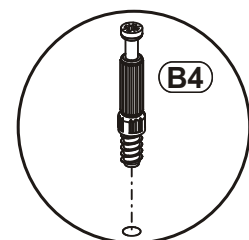
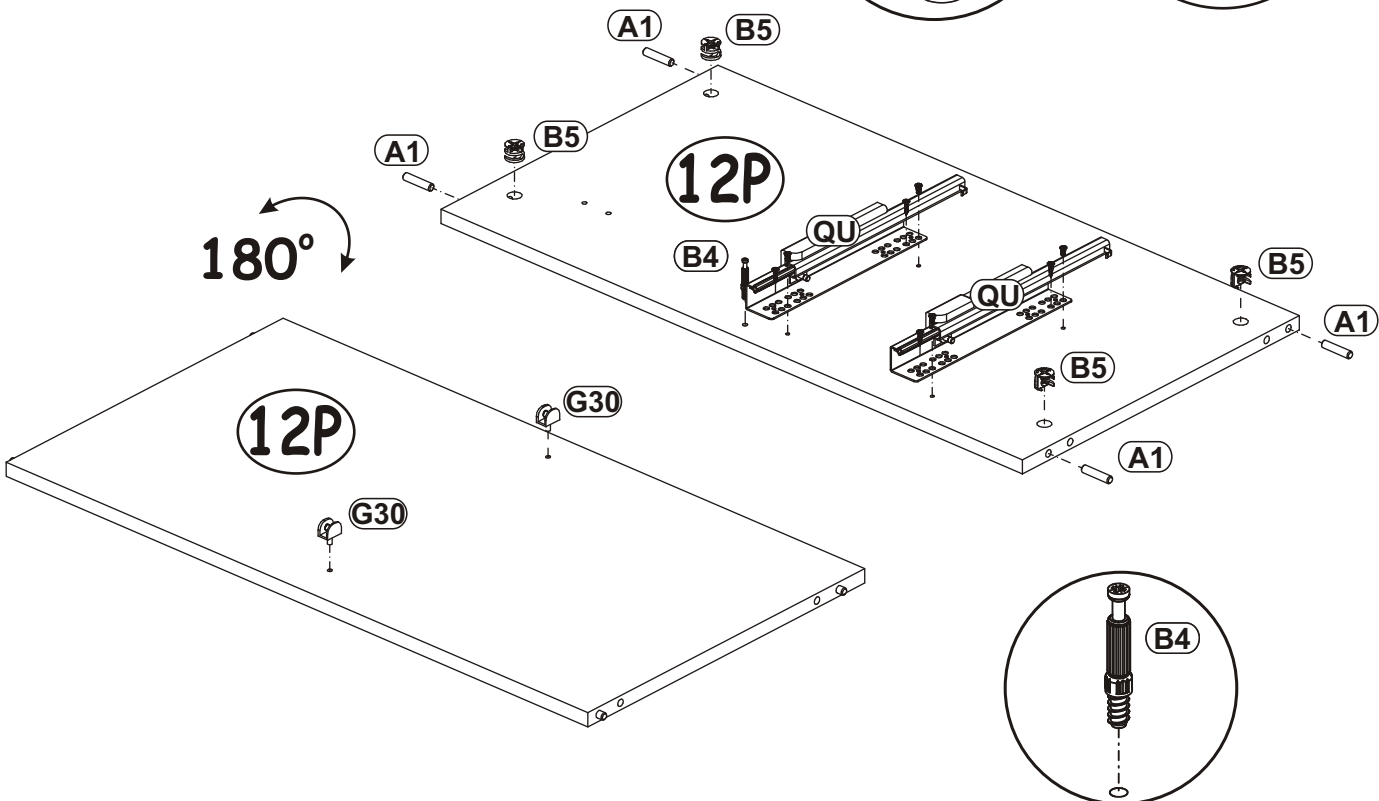
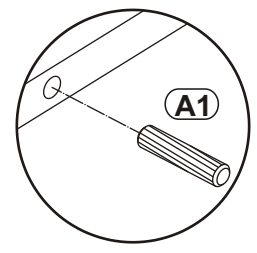
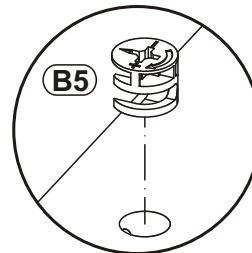
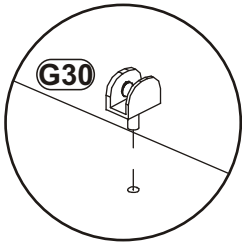
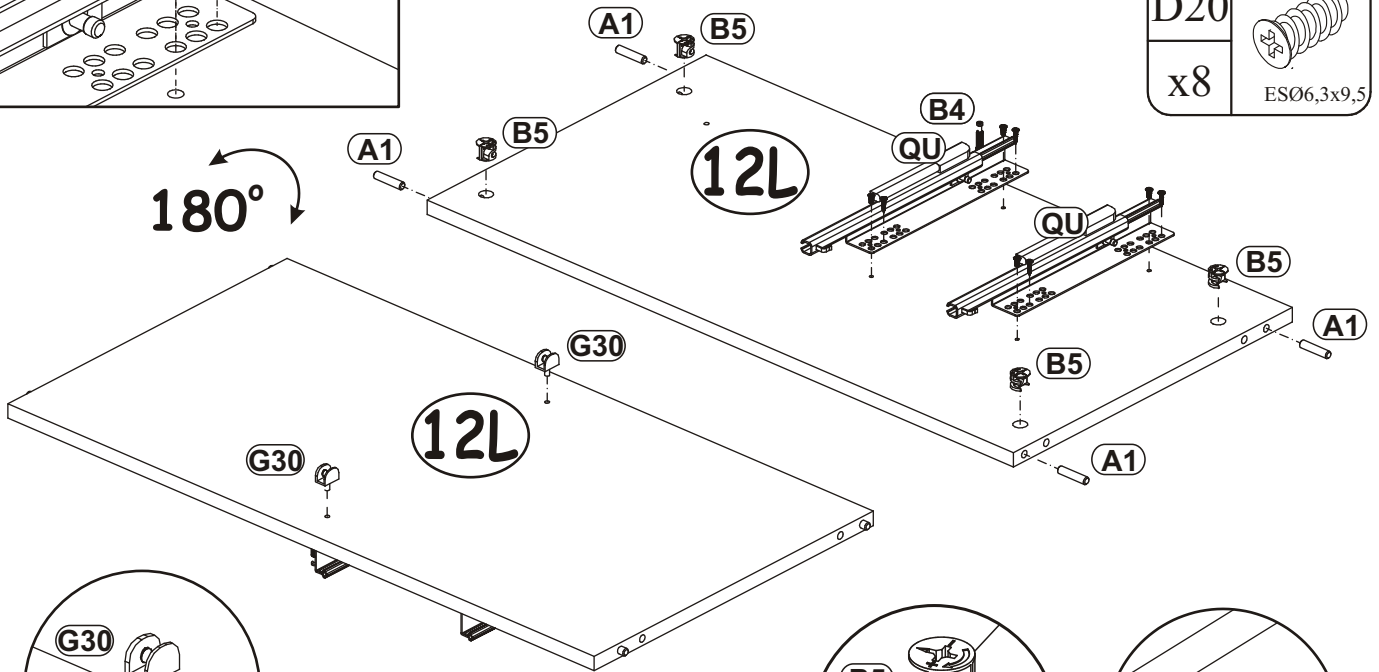
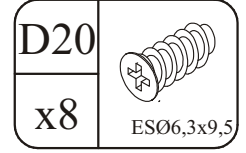
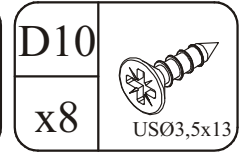
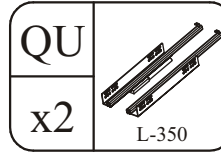
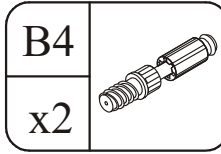
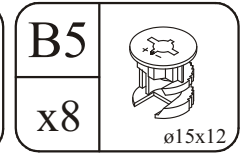
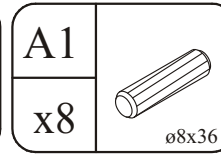
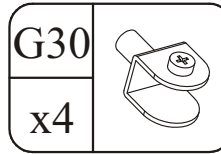
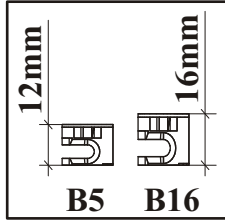
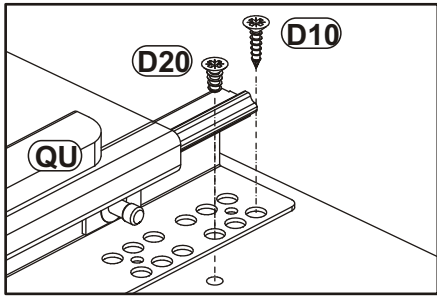
2



A1		B4	
x16	ø8x36	x16	



3



4

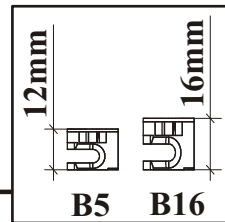
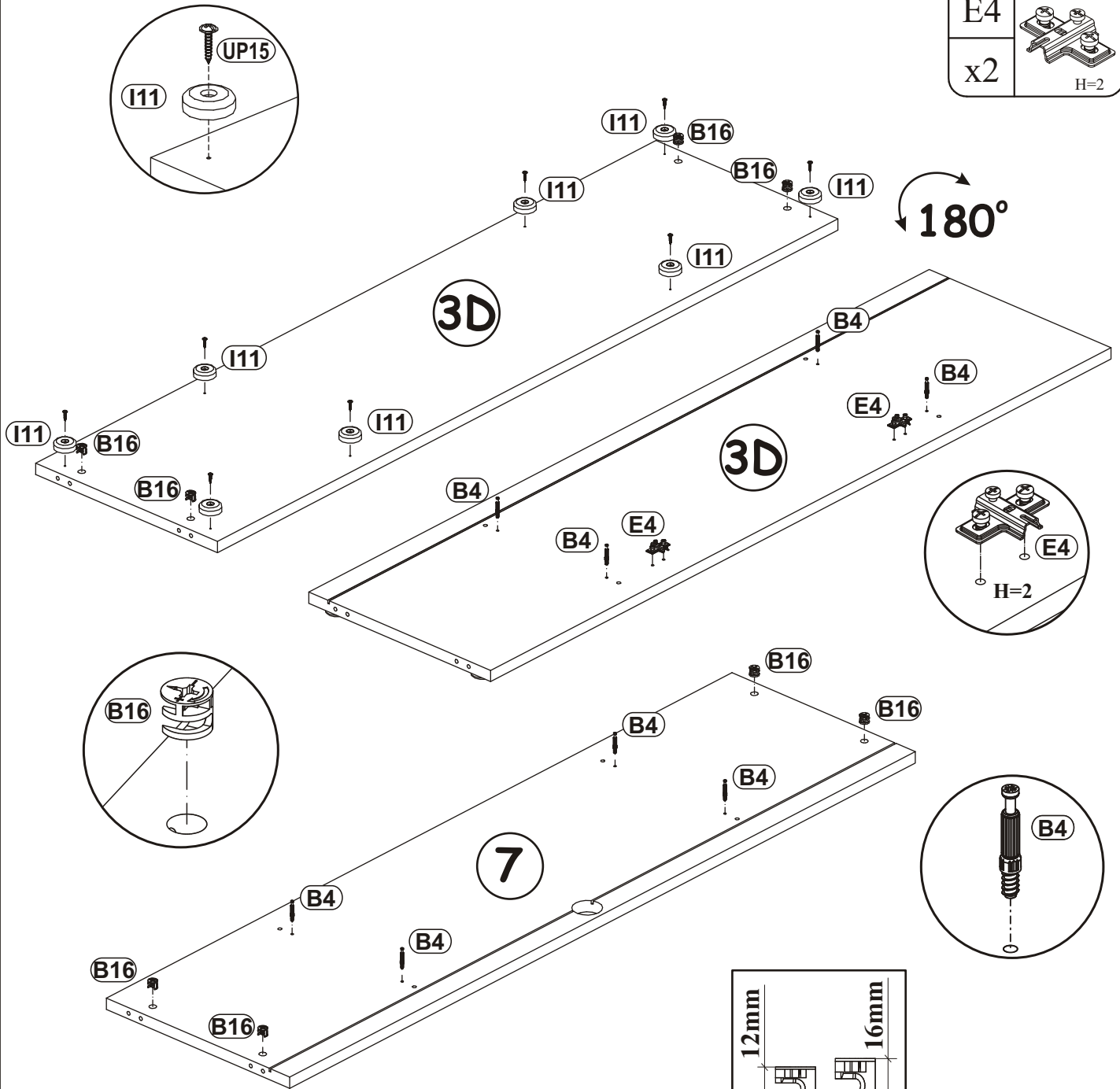
UP15	
x8	UpØ4x25

I11	
x8	Ø50, h=25

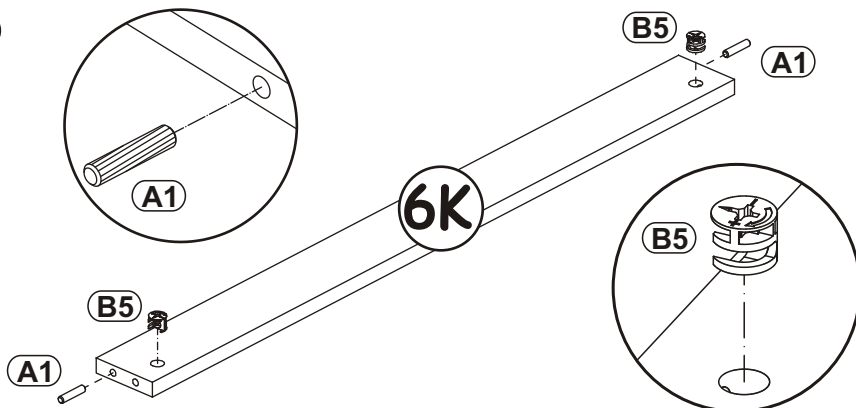
B4	
x8	

B16	
x8	Ø15x16

E4	
x2	H=2



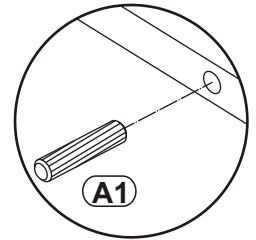
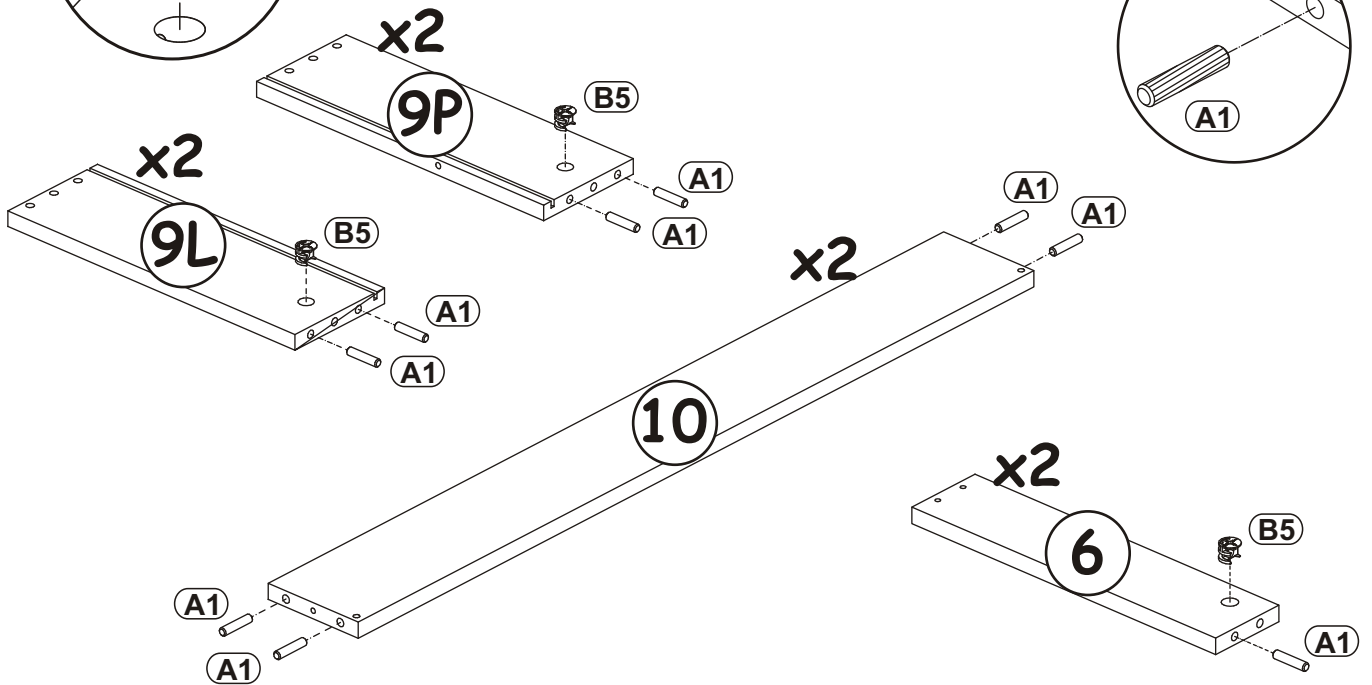
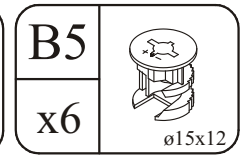
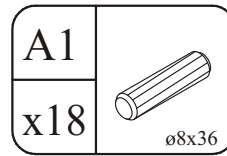
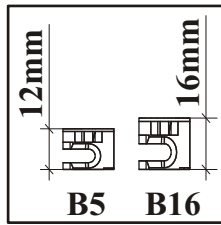
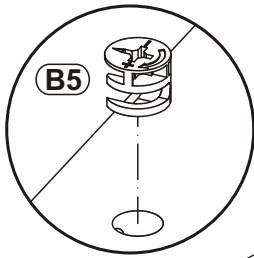
5



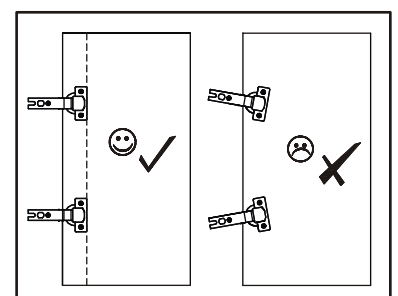
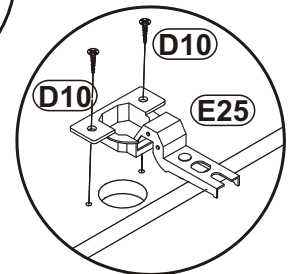
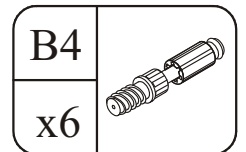
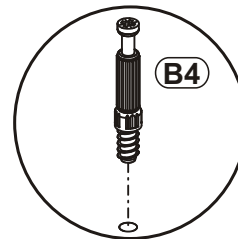
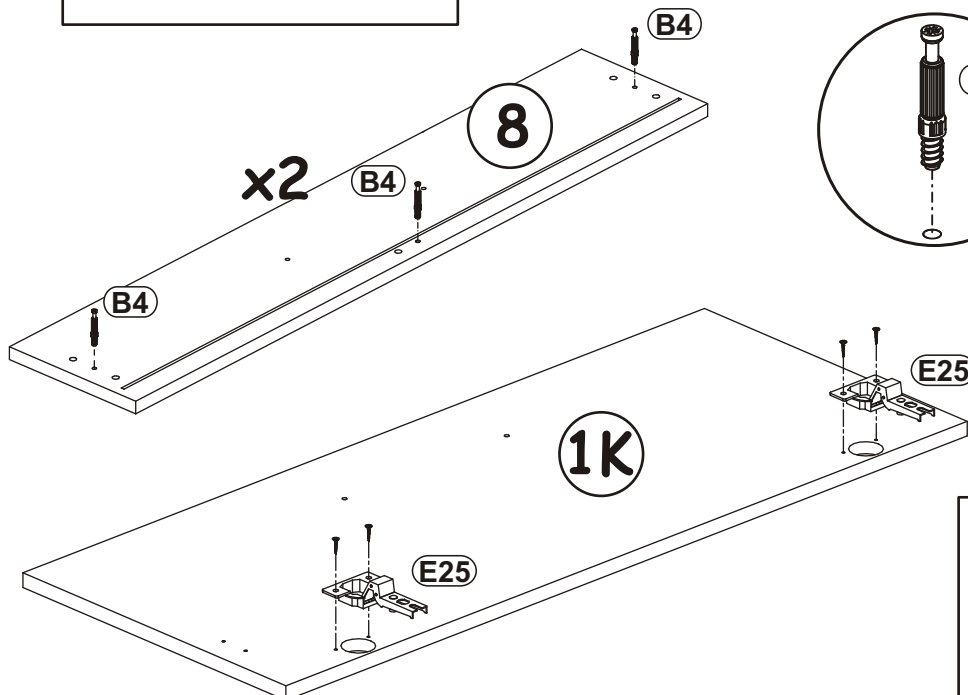
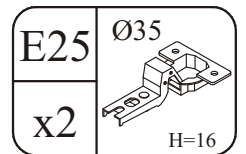
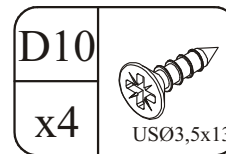
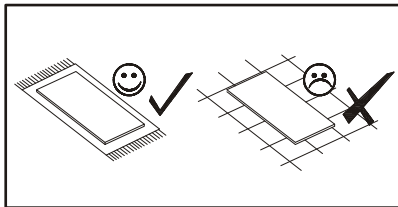
B5	
x2	Ø15x12

A1	
x2	Ø8x36

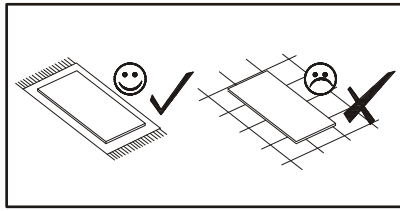
6



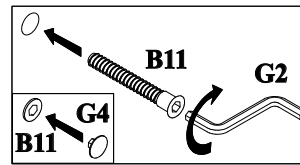
7



8



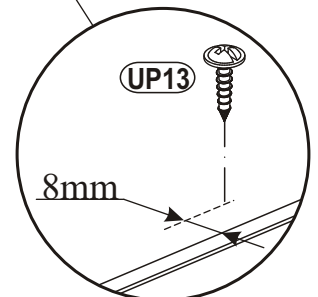
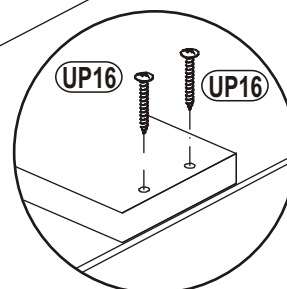
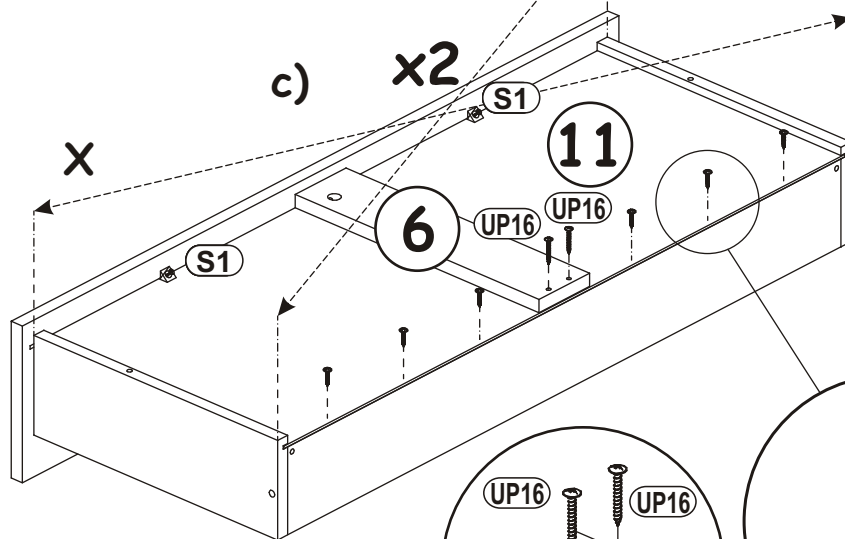
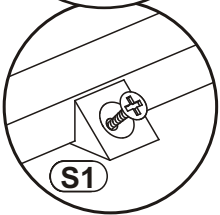
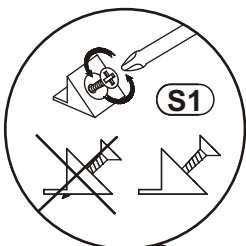
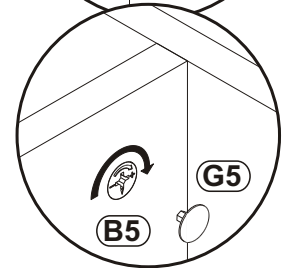
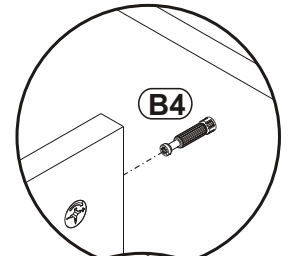
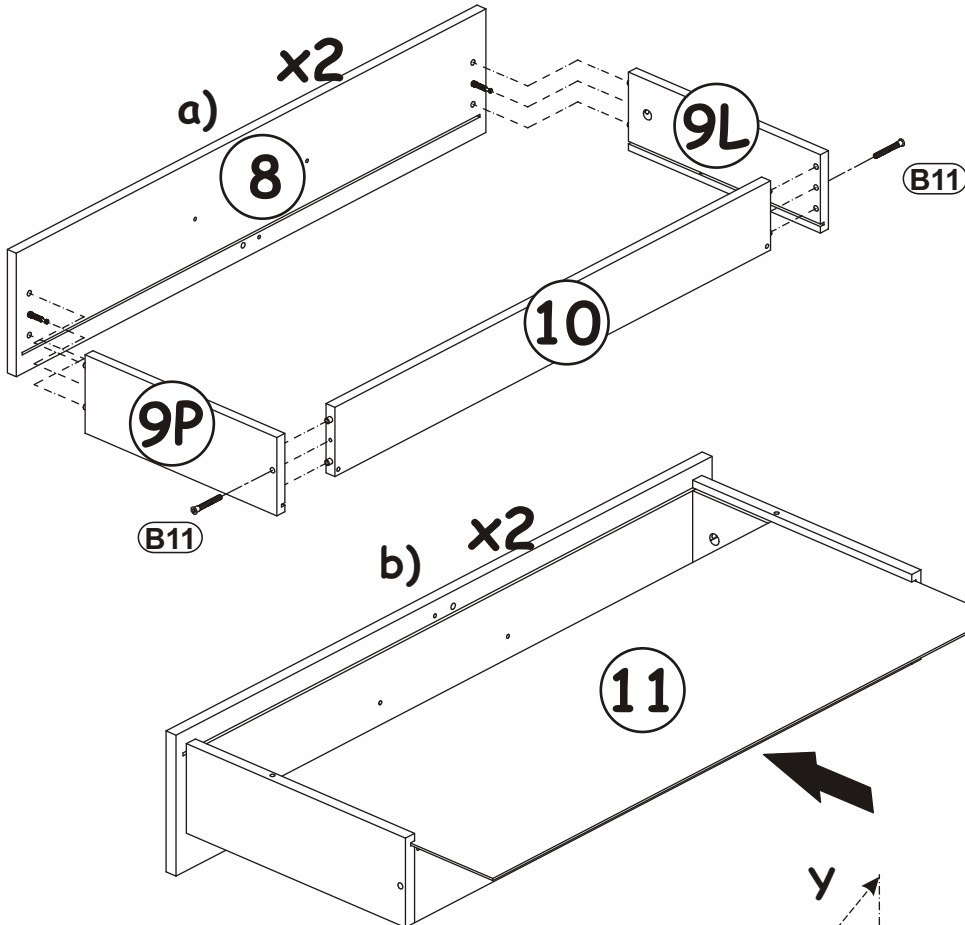
G5		B11		G4	
x4		x4	Ø7x50	x4	




S1	
x4	

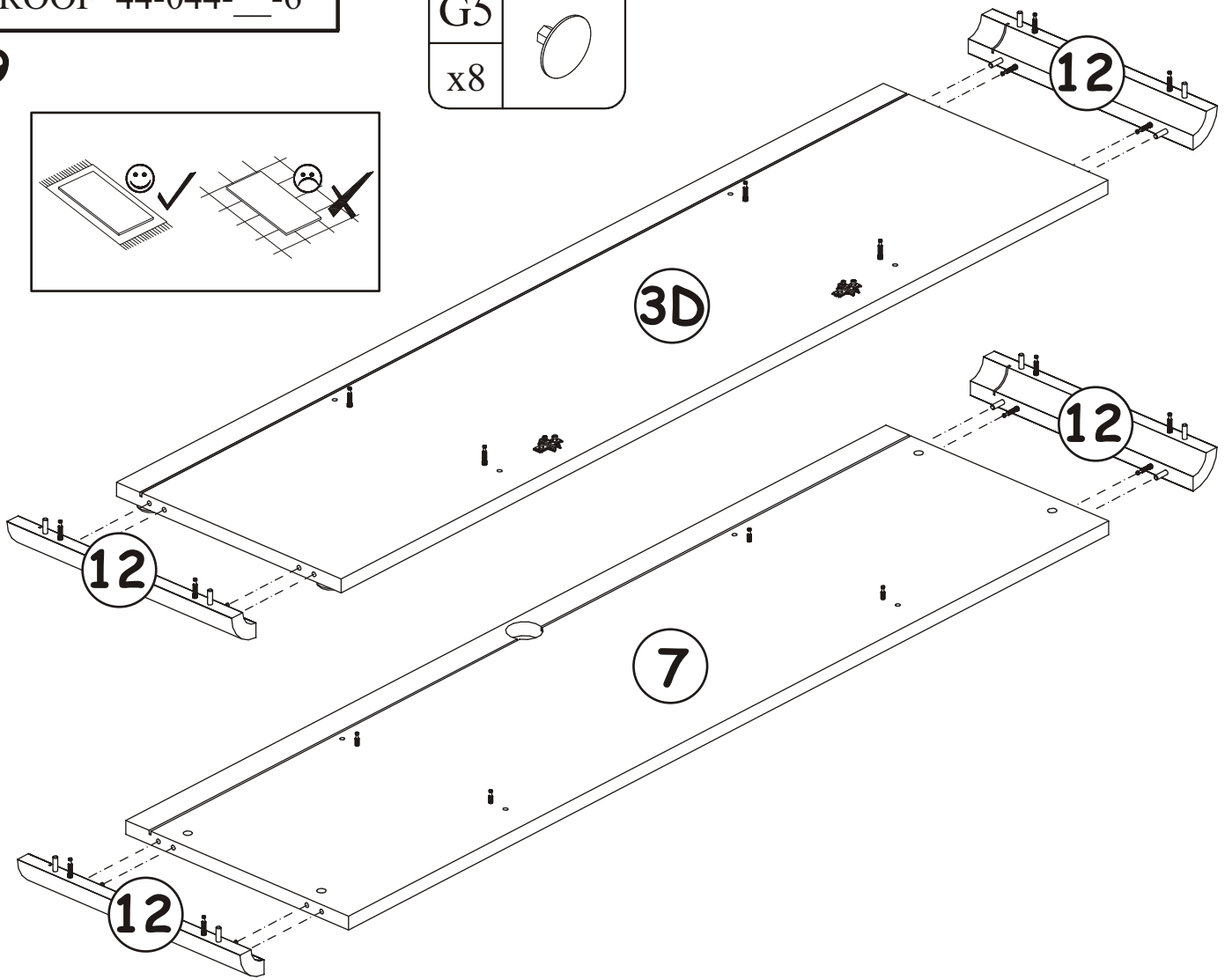
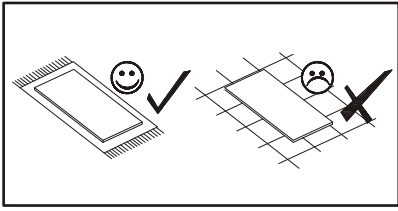
UP13	
x12	UPØ3x16

UP16	
x4	UPØ4x35

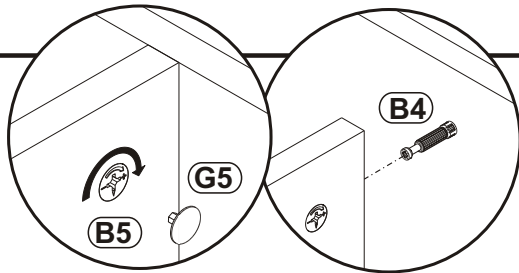



G5	
x8	

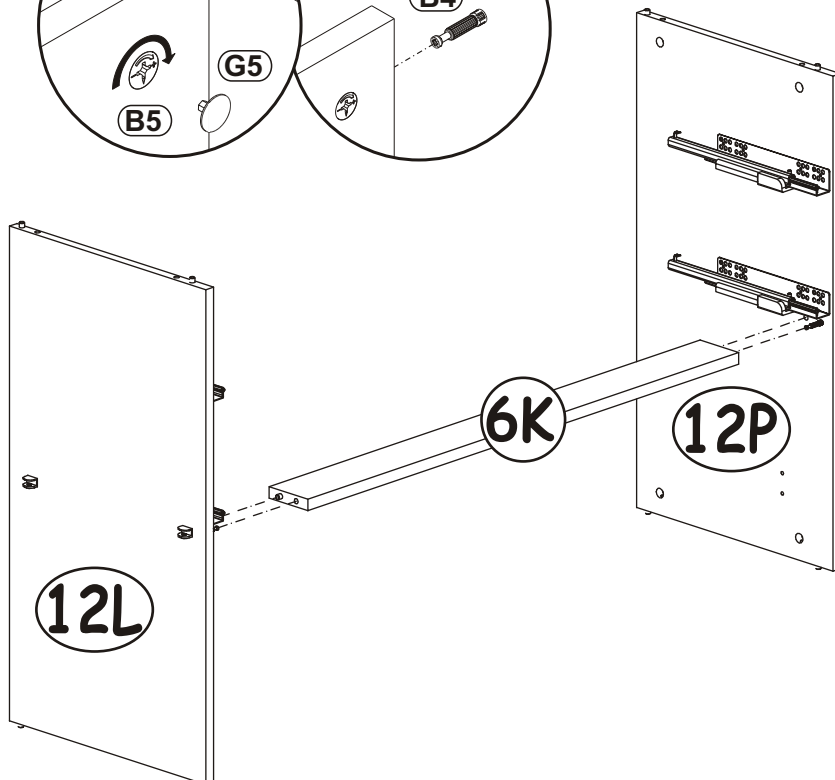
9



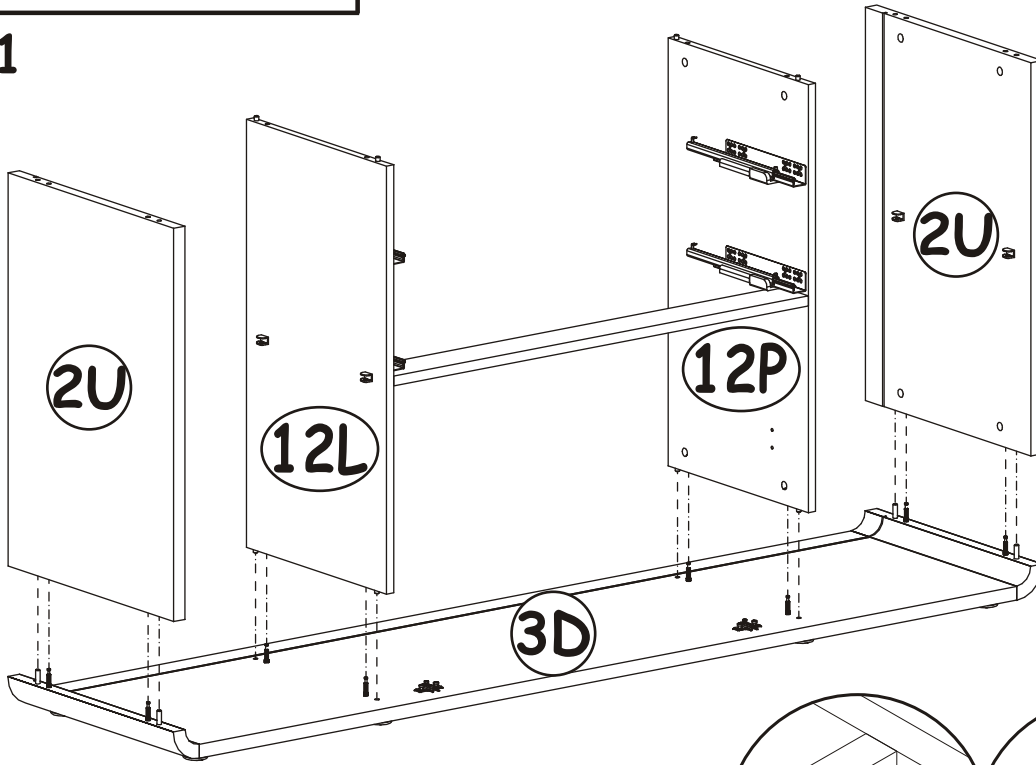
10




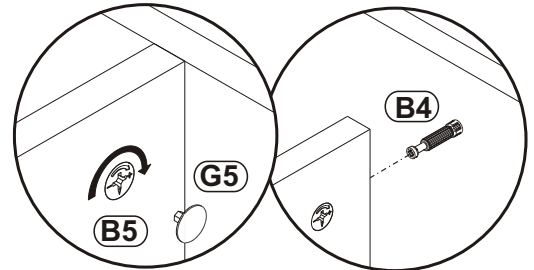
G5	
x2	



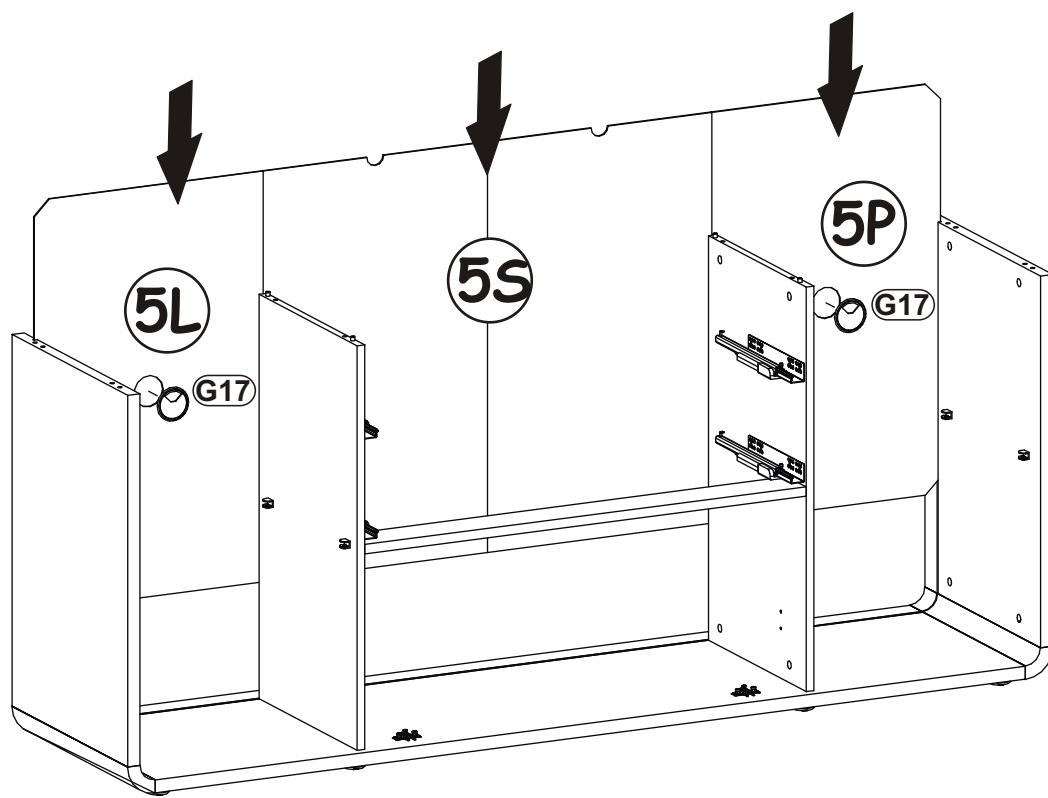
11




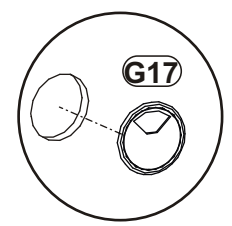
G5	
x8	




12

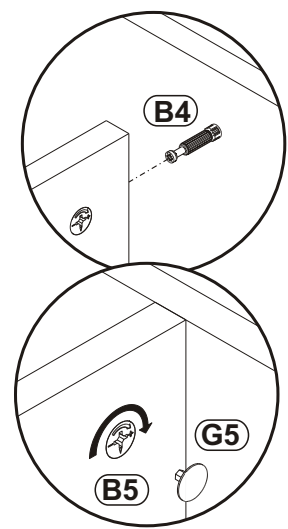
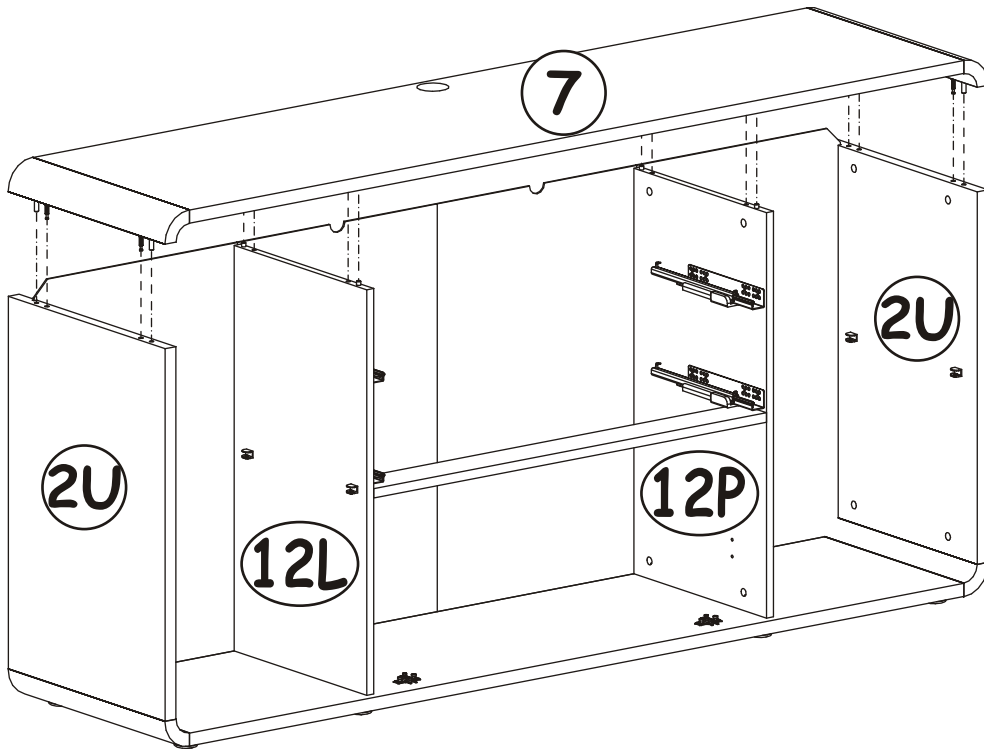


G17	
x2	Ø60, H-4

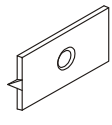
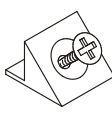



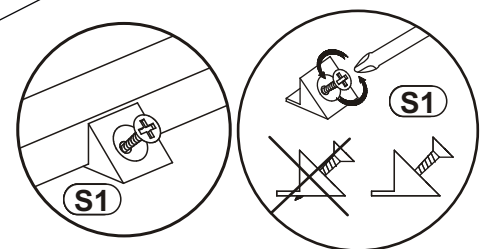
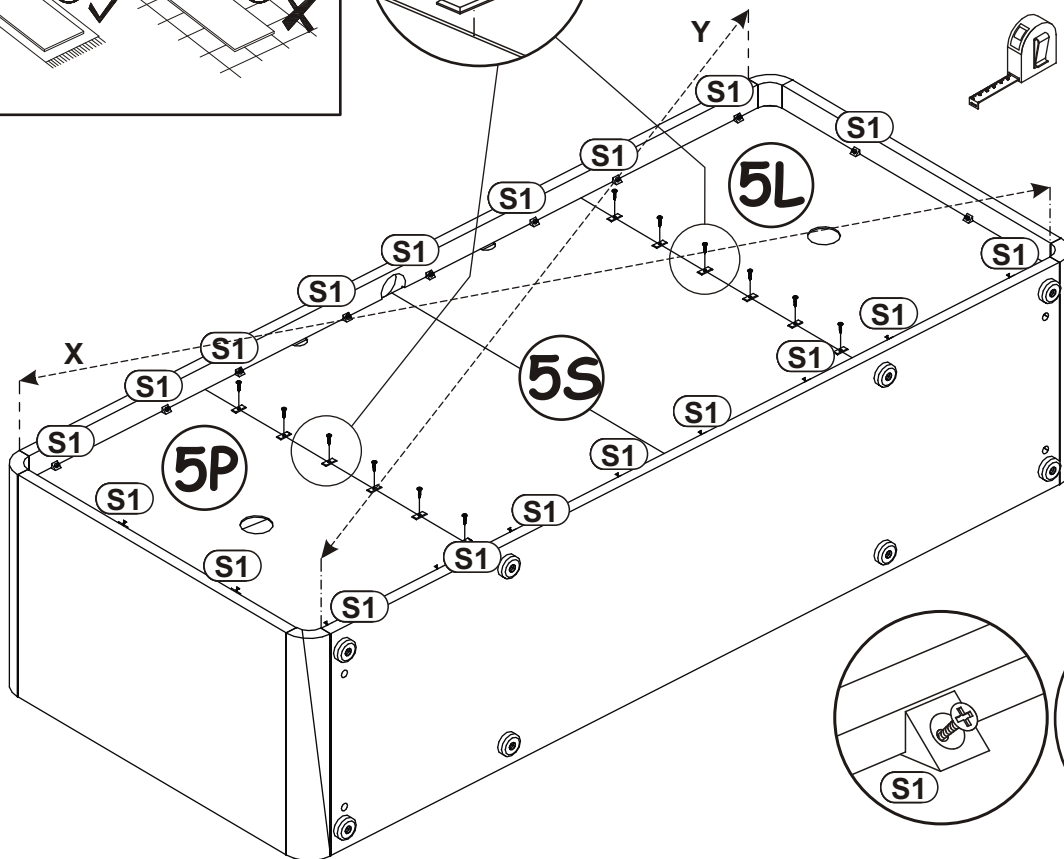
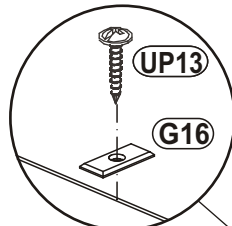
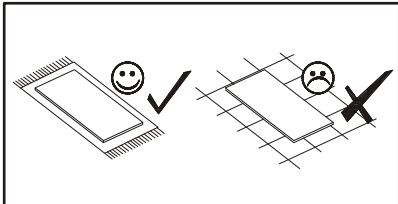
13

G5	
x8	

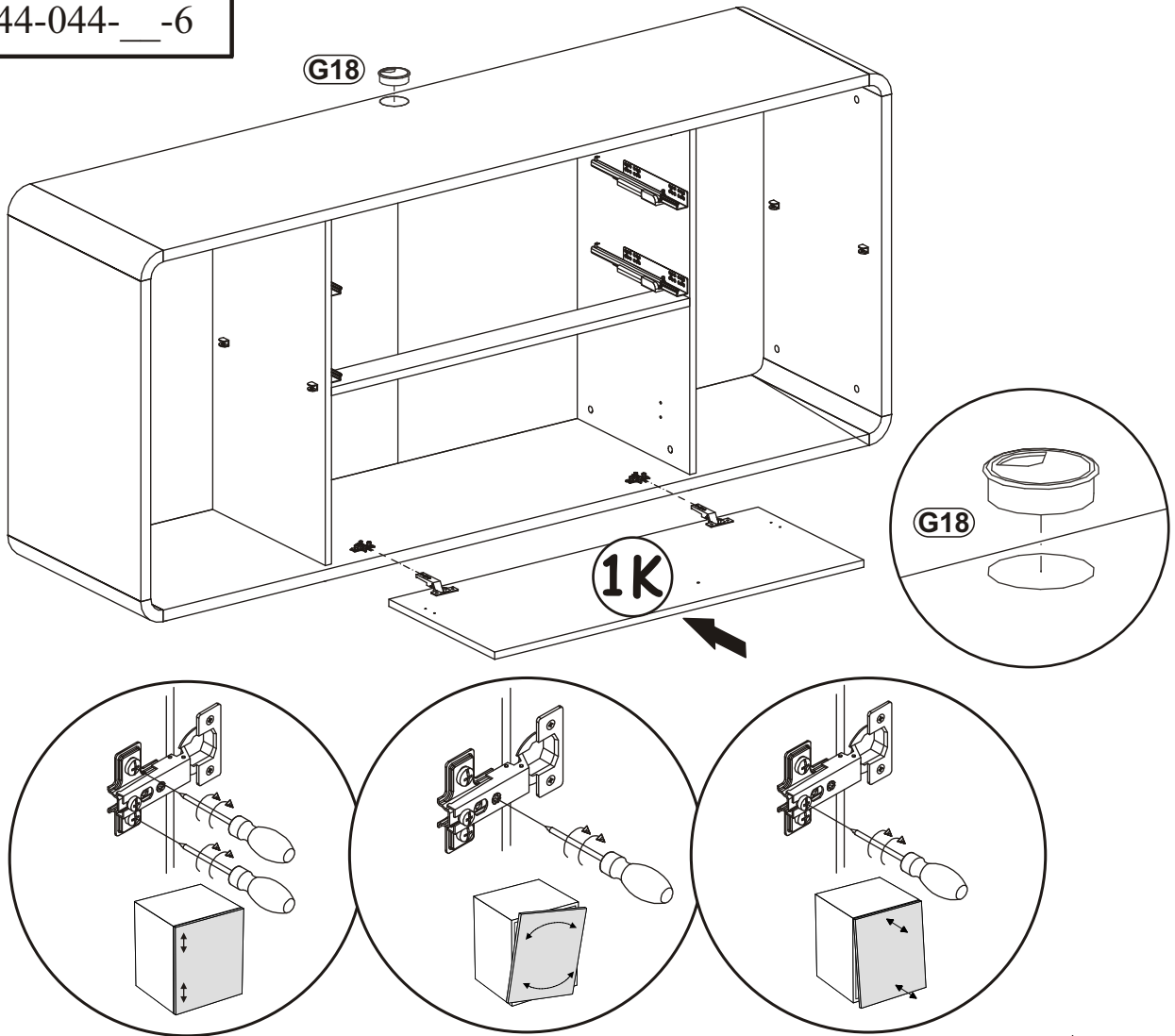


14

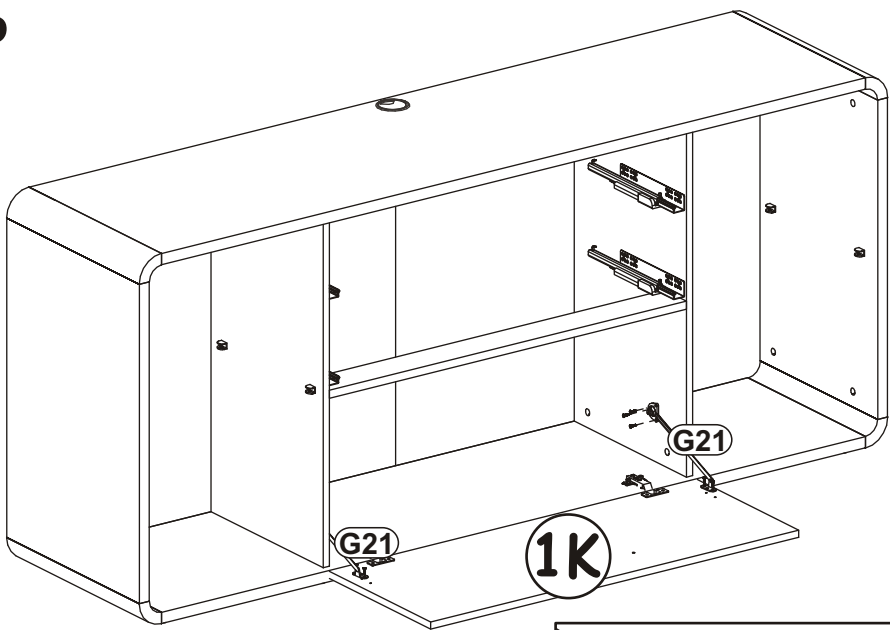
G16		S1		UP13	
x12		x20		x12	UPØ3x16



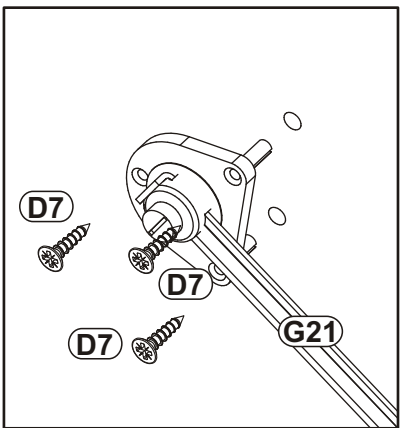
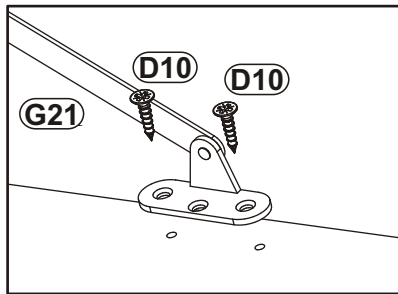
15

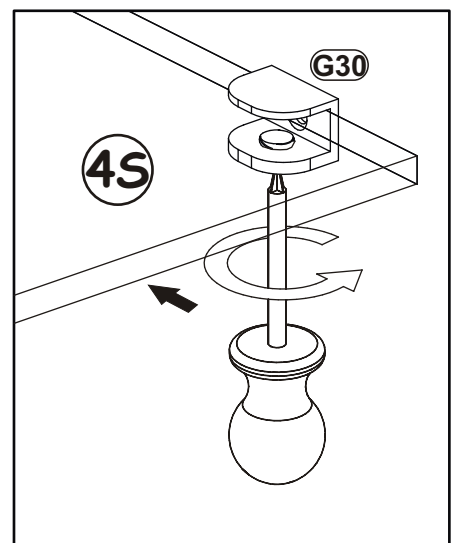
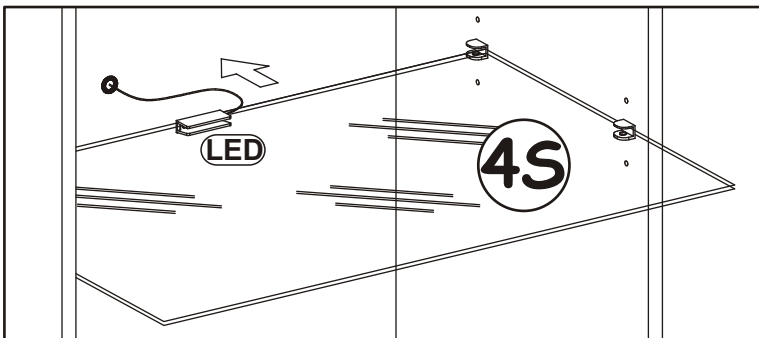
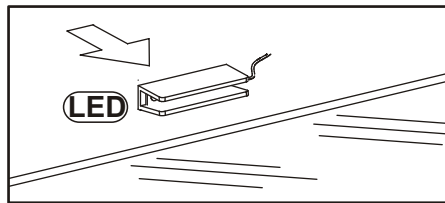
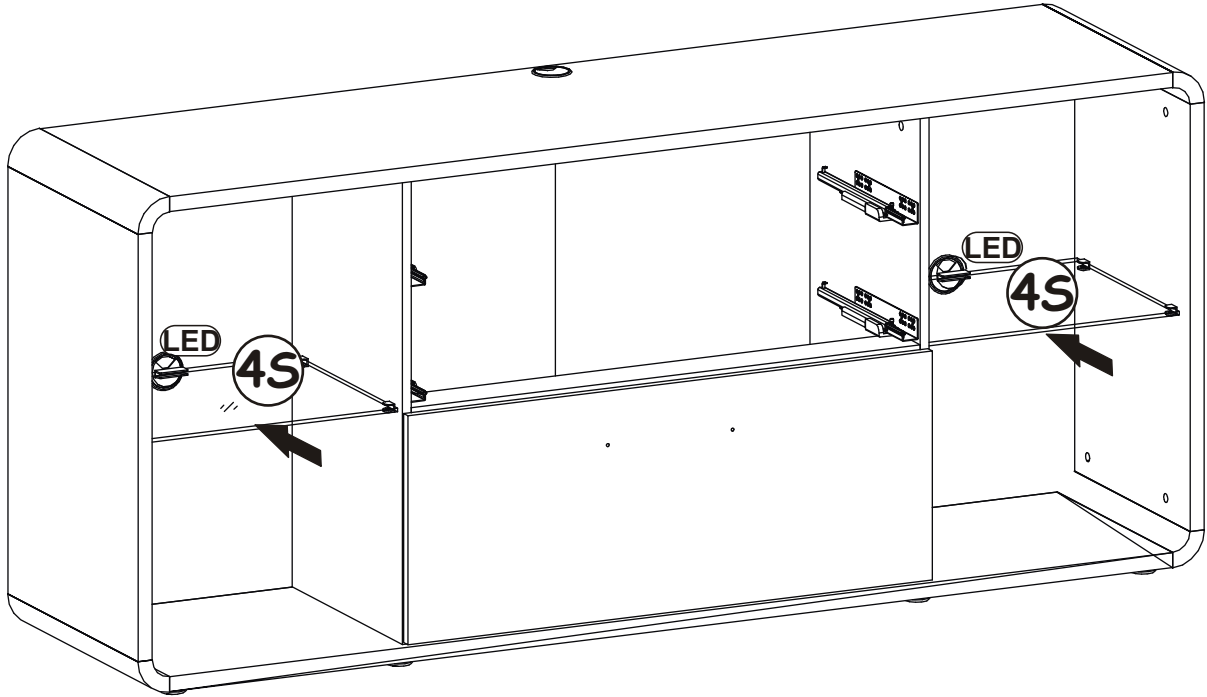
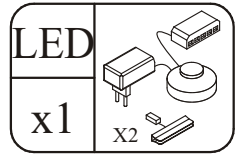


16

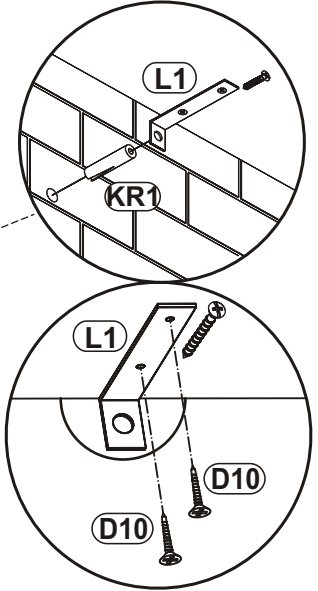
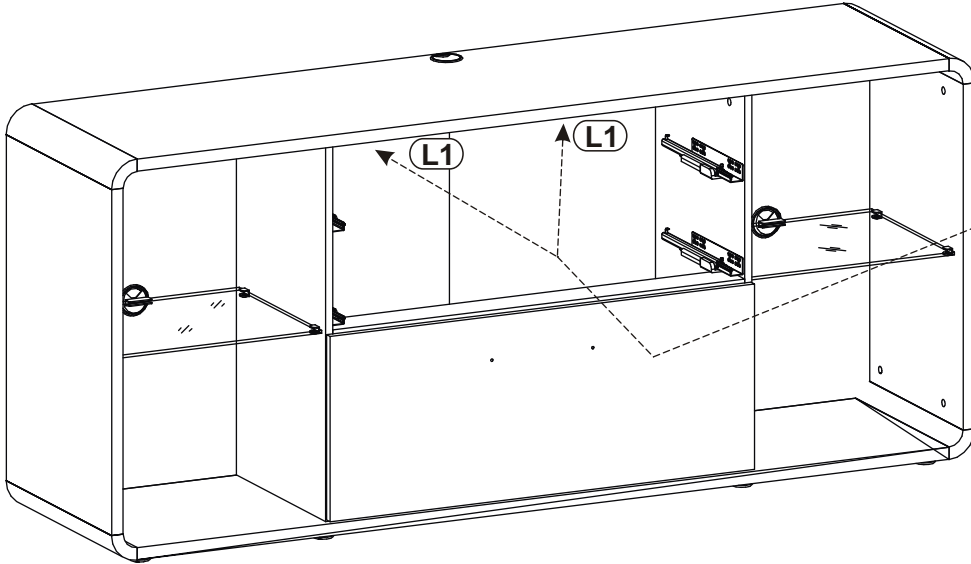
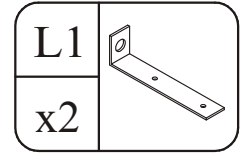
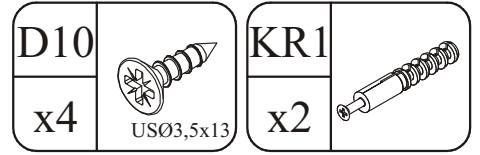
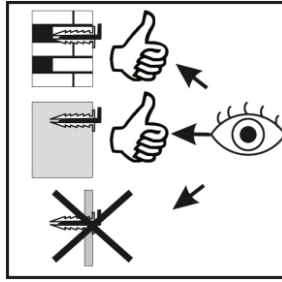
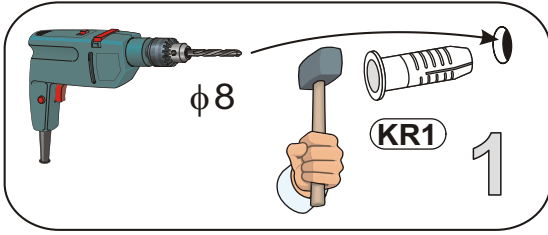


- | | |
|-----|-----------|
| D10 | |
| x4 | USØ3,5x13 |
| D7 | |
| x6 | USØ3x16 |
| G21 | |
| x2 | |

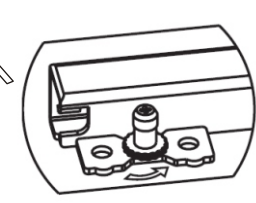
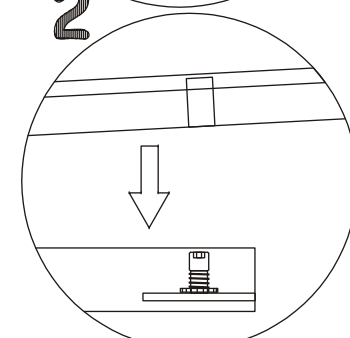
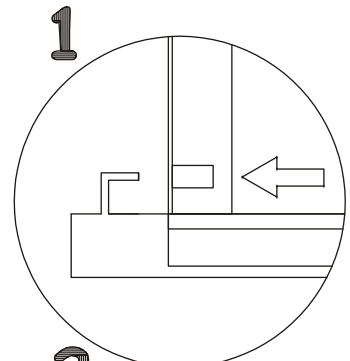
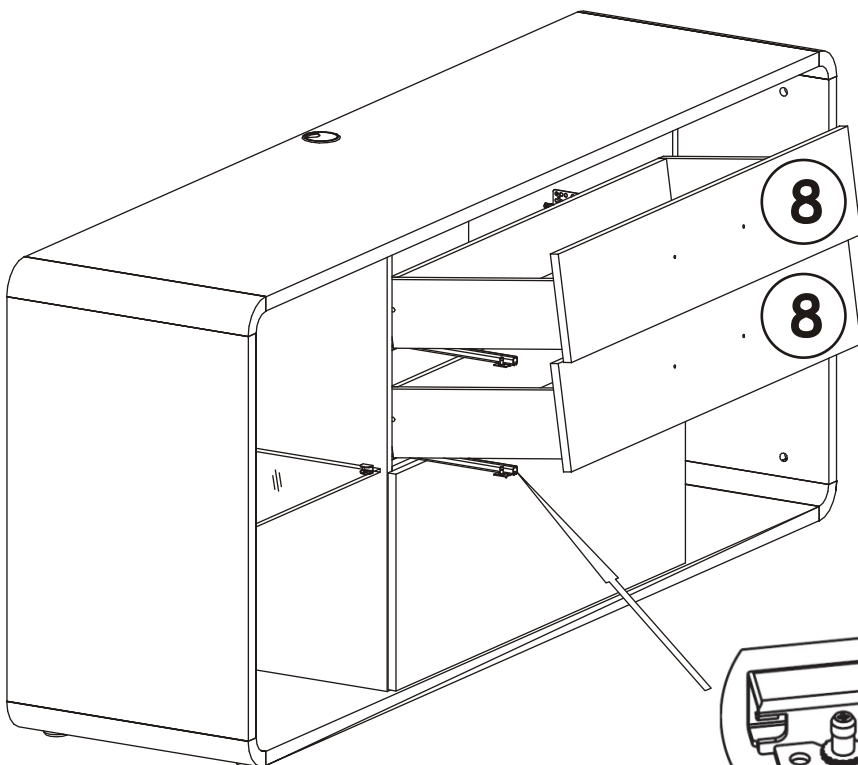




18



19



↑+4 mm

